

INTERMOT DUAL DISPLACEMENT MOTORS

IAC SERIES

H6 MODEL

IAC 3000 H6

IAC 3000/C H6

INDEX

IAC 3000 H6 D90 - - - - -	Pag.	52
IAC 3000/C H6 D90 - - - - -	"	53
IAC 3000 H6 D90 C3 SV - - - - -	"	54
IAC 3000/C H6 D90 C3 SV - - - - -	"	55
IAC 3000 H6 D90 C3-24 SV - - - - -	"	56
IAC 3000 H6 D90 C3-24 SV - - - - -	"	57
ORDERING INSTRUCTIONS - - - - -	"	58

MOTOR TECHNICAL DATA

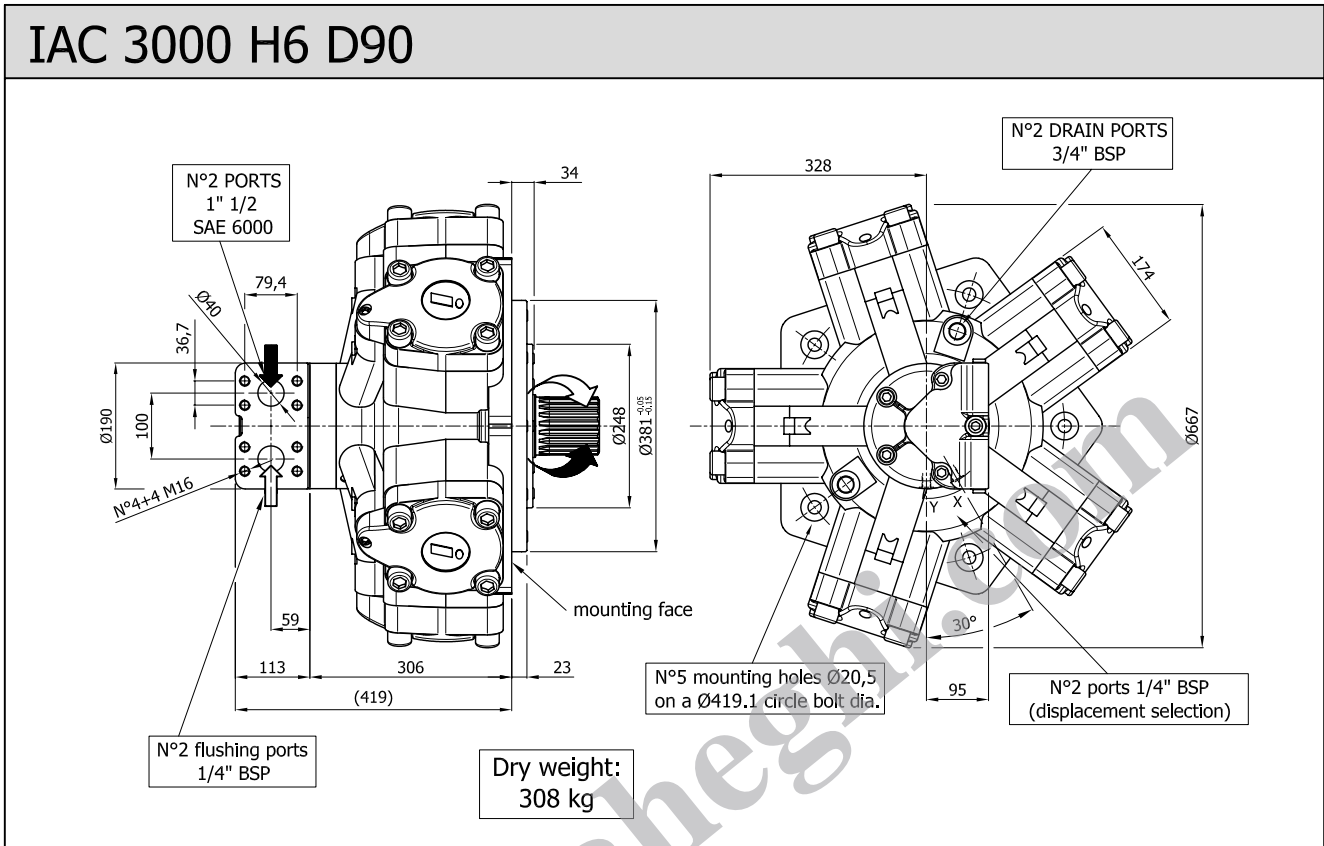
Displacement [cc/Rev]	3085	2950	2790	2620	2460	2290	2130	1970	1800
Specific theoretical torque [Nm/bar]	49,1	47	44,4	41,7	39,2	36,5	33,9	31,4	28,7
Continuous maximum speed [rpm]	235	240	245	250	250	265	285	305	340
Minimum speed [rpm]	1	1	1	1	1	1	1	1	1
Mechanical efficiency [%]	95	94,5	94,2	94	93,7	93,5	92,8	92,3	92
Starting mechanical efficiency [%]	86	85,4	84,4	83,6	82,4	82	80,2	78	76
Continuous maximum power [kW]	175	175	175	165	155	150	140	130	122
Intermittent maximum power [kW]	196	196	196	185	174	168	157	146	137
Continuous maximum pressure [bar]	250	250	250	250	250	250	250	250	250
Intermittent maximum pressure [bar]	275	275	275	275	275	275	275	275	275
Peak pressure [bar]	350	350	350	350	350	350	350	350	350
Recommended flushing flow [l/min]	12	12	12	12	12	12	12	12	12

Displacement [cc/Rev]	1640	1470	1310	1150	980	820	670	490	330
Specific theoretical torque [Nm/bar]	26,1	23,4	20,9	18,3	15,6	13,1	10,7	7,8	5,2
Continuous maximum speed [rpm]	370	400	425	455	490	520	600	600	600
Minimum speed [rpm]	1	1	1	1	1	2	2	2	3
Mechanical efficiency [%]	91	90,5	88	86,2	82,3	81,7	78	76	73,2
Starting mechanical efficiency [%]	73	70	66,4	62	55,4	46,3	33	0	0
Continuous maximum power [kW]	115	106	100	89	81	73	62	49	25
Intermittent maximum power [kW]	129	119	112	100	91	82	70	55	35
Continuous maximum pressure [bar]	250	250	250	250	250	250	250	250	250
Intermittent maximum pressure [bar]	275	275	275	275	275	275	275	275	275
Peak pressure [bar]	350	350	350	350	350	350	350	350	350
Recommended flushing flow [l/min]	12	12	12	12	12	12	12	12	12

INTERCHANGEABLE WITH HMC200

SIZE

IAC 3000 H6 D90



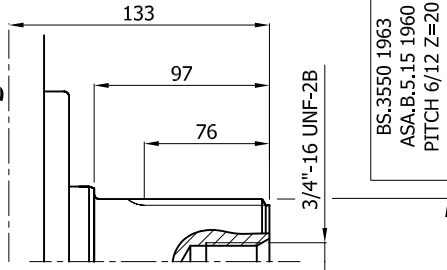
SHAFT

IAC 3000 H6 D90

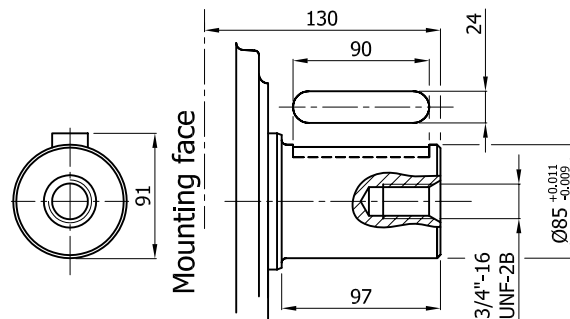
A1: Splined shaft

A2: Parallel shaft

Mounting face



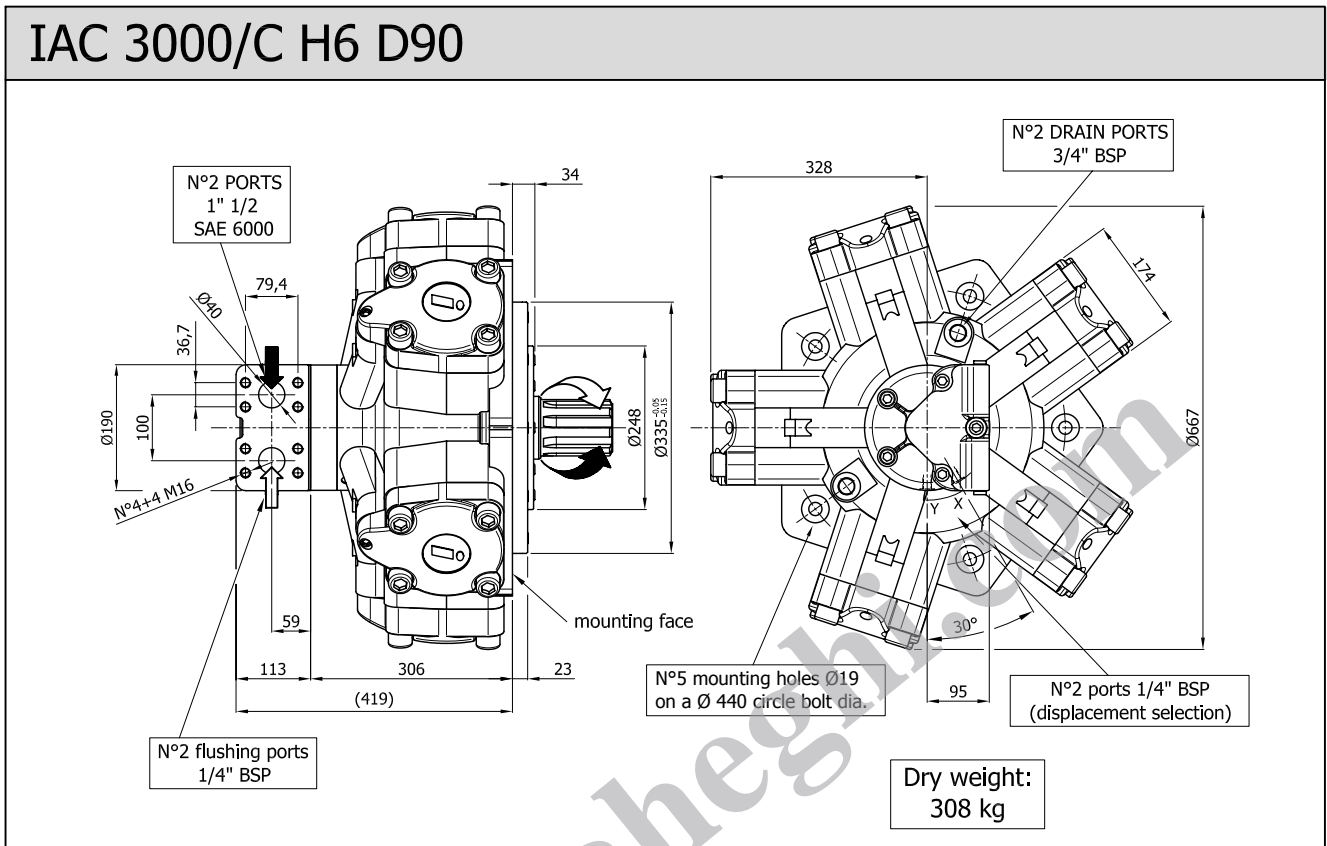
Mounting face



INTERCHANGEABLE WITH MRD2800

SIZE

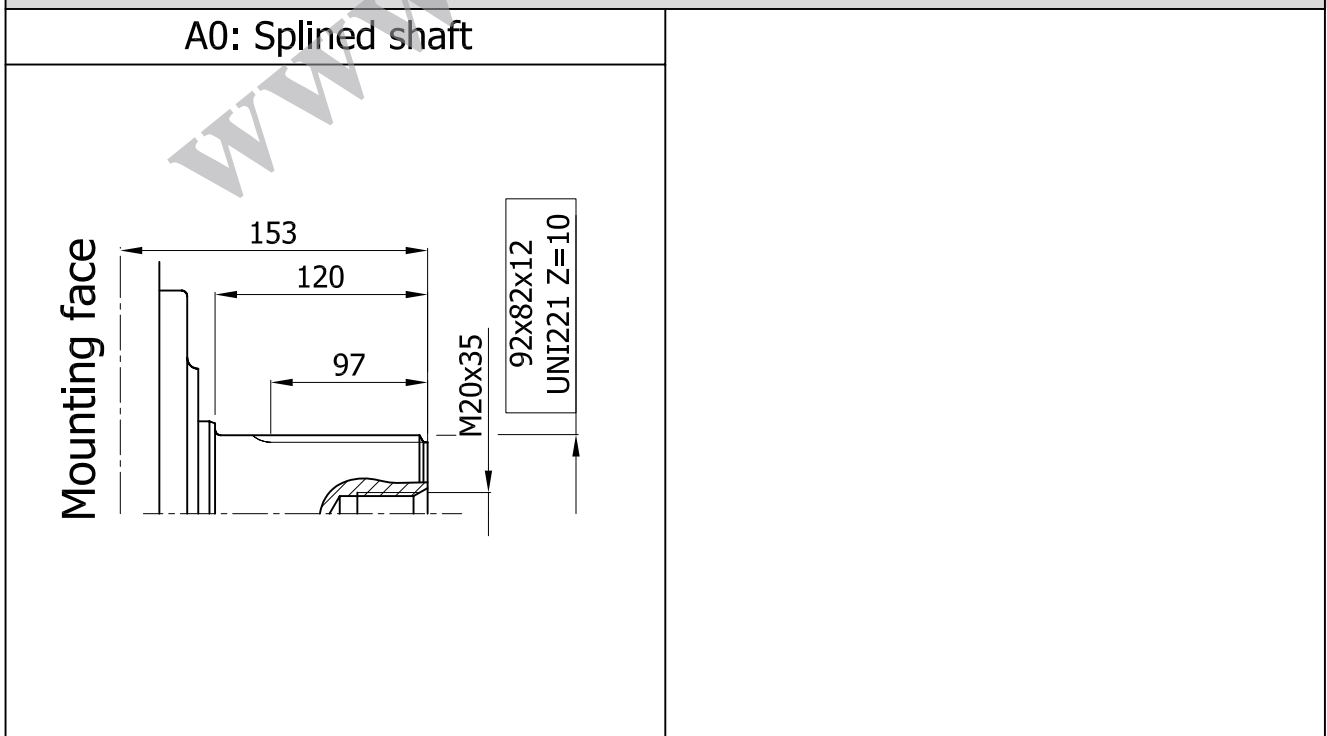
IAC 3000/C H6 D90



SHAFT

IAC 3000/C H6 D90

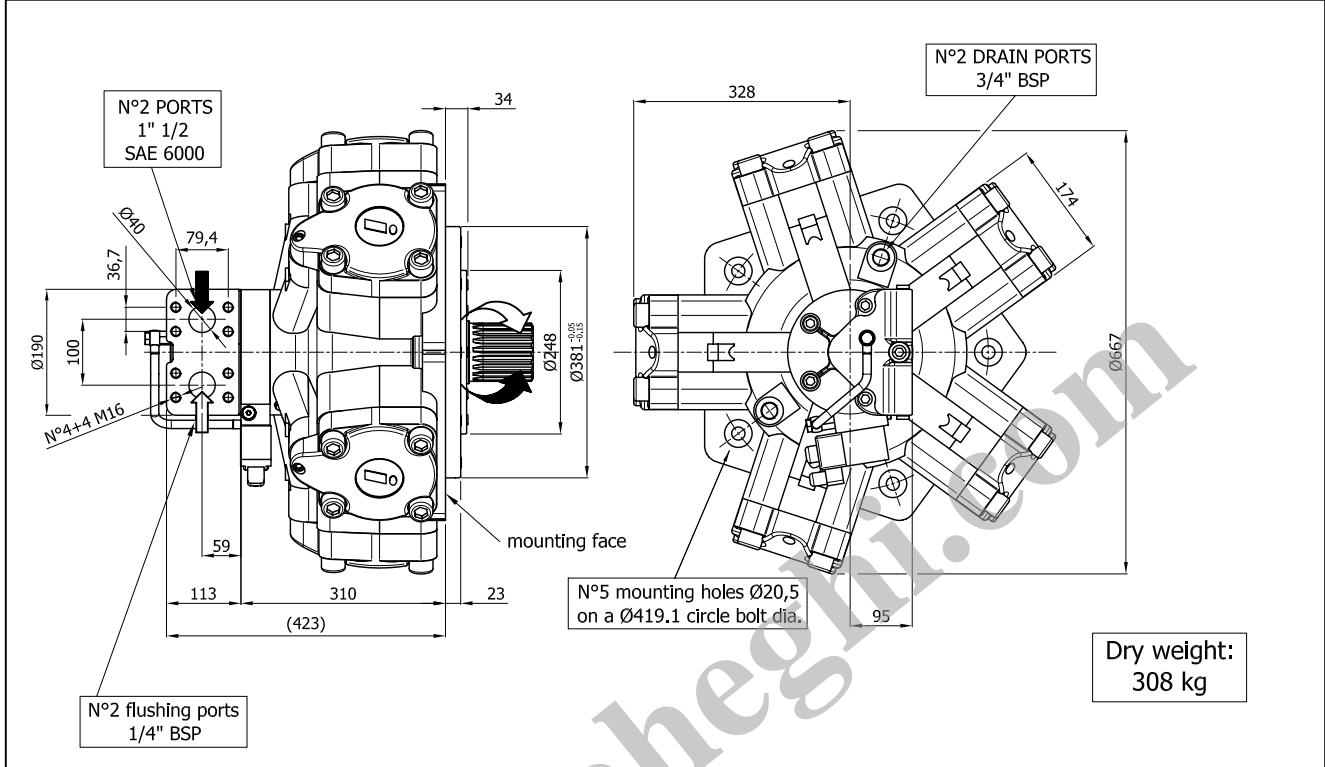
A0: Splined shaft



INTERCHANGEABLE WITH HMC200

SIZE

IAC 3000 H6 D90 C3-24 SV



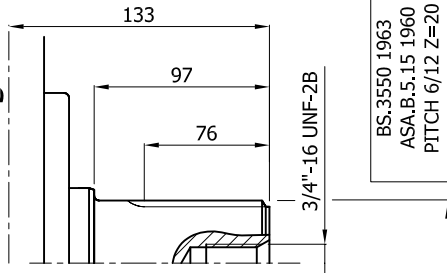
SHAFT

IAC 3000 H6 D90 C3-24 SV

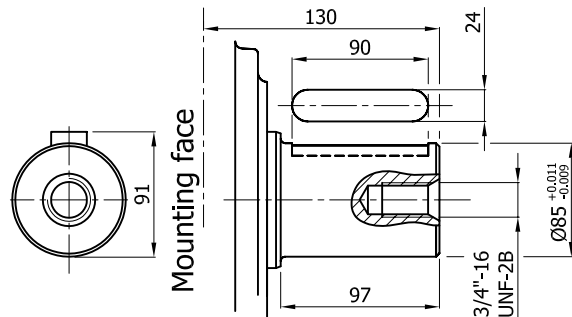
A1: Splined shaft

A2: Parallel shaft

Mounting face



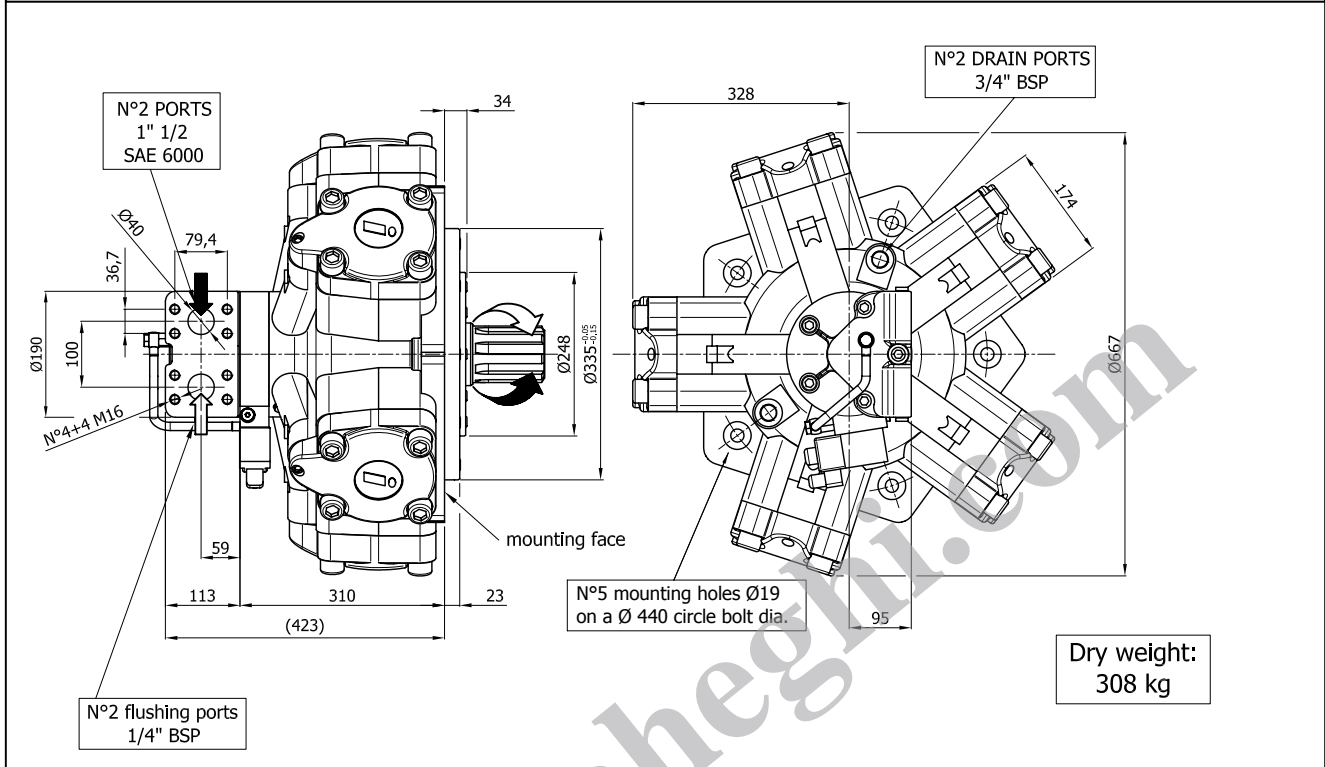
Mounting face



INTERCHANGEABLE WITH MRD2800

SIZE

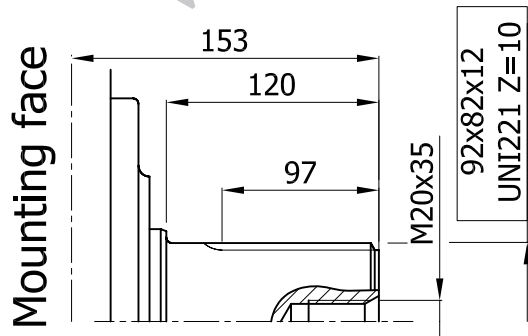
IAC 3000/C H6 D90 C3-24 SV



SHAFT

IAC 3000/C H6 D90 C3-24 SV

A0: Splined shaft



ORDERING INSTRUCTIONS

IAC H6

<p>Motor model IAC 3000</p> <p>Motor interchangeability /C</p> <p>Housing H6</p> <p>Shaft A0 splined shaft A1 splined shaft A2 parallel shaft</p> <p>Distributor D90 (SAE 6000 1" 1/2)</p> <p>Tachometer (optional) TA TB EST EST.30 J TACHOMETER PREDISPOSITION</p> <p>Cetop 3 fitting (optional) C3 (Cetop 3 fitting) C3-12 (Cetop 3 fitting, with 12V DC valve included) C3-24 (Cetop 3 fitting, with 24V DC valve included)</p> <p>Shuttle valve (optional) SV</p> <p>Spline billet (optional) SB9 (for A0 splined shaft) SB10 (for A1 splined shaft)</p> <p>Valves (optional) RVDA OVSA (see valve section for details and complete ordination code) OVDA ORVSA RVDAP</p> <p>Special features (optional) 01 (Viton seals) 02 (Oxynit treatment on the external motor surface) 03 (Nitemper treatment on cylinder bores)</p> <p>Conversion flange (optional) (see conversion flanges section) FL7 (for IAC 3000 H6 D90)</p> <p>Displacements MAX-MIN (MAXIMUM AND MINIMUM DISPLACEMENT OF MOTOR)</p>	<p>IAC --</p> <p>/-</p> <p>H1</p> <p>A -</p> <p>D --</p> <p>---</p> <p>---</p> <p>SV</p> <p>SB -</p> <p>---</p> <p>---</p> <p>---</p> <p>---</p>	<p>Motor model IAC 3000</p> <p>Motor interchangeability /C</p> <p>Housing H6</p> <p>Shaft A0 splined shaft A1 splined shaft A2 parallel shaft</p> <p>Distributor D90 (SAE 6000 1" 1/2)</p> <p>Tachometer (optional) TA TB EST EST.30 J TACHOMETER PREDISPOSITION</p> <p>Cetop 3 fitting (optional) C3 (Cetop 3 fitting) C3-12 (Cetop 3 fitting, with 12V DC valve included) C3-24 (Cetop 3 fitting, with 24V DC valve included)</p> <p>Shuttle valve (optional) SV</p> <p>Spline billet (optional) SB9 (for A0 splined shaft) SB10 (for A1 splined shaft)</p> <p>Valves (optional) RVDA OVSA (see valve section for details and complete ordination code) OVDA ORVSA RVDAP</p> <p>Special features (optional) 01 (Viton seals) 02 (Oxynit treatment on the external motor surface) 03 (Nitemper treatment on cylinder bores)</p> <p>Conversion flange (optional) (see conversion flanges section) FL7 (for IAC 3000 H6 D90)</p> <p>Displacements MAX-MIN (MAXIMUM AND MINIMUM DISPLACEMENT OF MOTOR)</p>
--	--	--

Max displacement range: 3085-1640 cc/Rev
IAC 3000 H6
Min displacement range: 2290-330 cc/Rev

Different displacements on request

EXAMPLE: IAC.3000.H6.A1.D90.C3-24.SV.2950-1640
IAC.3000/C.H6.A0.D90.J.C3.SV.2290-1150